



Advantages of TOSIBOX®



Simple

Build and manage secure OT infrastructure in minutes



Secure

Tested & audited security



Modular

Unlimited expandability and flexibility



Timeless

Deals with legacy and future systems



Unique

Globally patented point-to-point connection

TOSIBOX® 175

Cost-effective Plug & Go™ connectivity device

TOSIBOX® 175 is ideal for demanding industry sectors that require an all-in-one solution that is compact, able to handle all environments and suited to global market usage. The 4G module and external 4G antenna provides stable Internet access, so the node can be easily configured anywhere. The versatile connectivity options, utilized in conjunction with leading edge Cyber security technology from TOSIBOX® enable diverse application scenarios. The durable aluminium alloy shell and small form factor allows for ideal mounting conditions. Creating secure and sustainable infrastructure has never been this easy.

The node is compatible with all existing TOSIBOX® products.

Main features

Performance

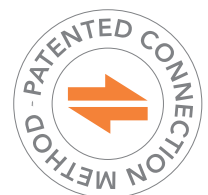
- High VPN throughput, end-to-end encryption between TOSIBOX® devices, users and servers

Reliability

- Integrated WiFi as connectivity method or access point for wireless devices on site
- Built-in global LTE modem - no external modem needed
- TosiOnline™ automatic reconnection of dropped connections

Industrial design

- Robust and fanless enclosure, DIN rail attachment



TOSIBOX[®] 175 Technical Data

Product code TBL175

Ports

- 1 x RJ-45 WAN connection, 10/100 Mb/s, auto-negotiation (MDI / MDI-X)
- 1 x RJ-45 LAN connection, 10/100 Mb/s, auto-negotiation (MDI / MDI-X)
- LAN can be assigned as Service connection, 10/100 Mb/s, auto-negotiation (MDI / MDI-X)
- RS485 port is not supported in the software. The device can be powered through the port

Connections

- 9-35V DC
- 1 x WiFi antenna connector, RP-SMA Male
- 1 x LTE antenna connector, SMA Female
- DIN rail attachment (back)
- Maximum power consumption 10W

Connection features

- 3-way WAN priority
- Proxy server support
- WAN access with static addressing or DHCP
- Network Time Protocol (NTP) server
- Automatic LAN network discovery
- LAN access with mixed static addressing and DHCP server
- Static routes
- Works in all Internet connections (operator independent)
- Firewall friendly
- Works with dynamic, static and private IP addresses
- Built-in firewall, NAT
- Up to 10 concurrent VPN connections
- VPN throughput up to 10 Mbit/s
- TosiOnline™ Automatic network recovery that recovers from most mobile operator and modem problems

4G Module

- Region: GLOBAL
- LTE Cat-4
- Up to 150 Mbps DL, 50 Mbps UL

Frequency Bands

- LTE FDD: B1/B2/B3/B4/B5/B7/B8/B12/B13/B18/B19/B20/B25/B26/B28
- LTE TDD: B38/B39/B40/B41
- WCDMA: B1/B2/B4/B5/B6/B8/B19

LTE module is technically capable and certified for following standards and operators:

- CE, FCC
- PTCRB, RCM, GCF, ICASA, TELEC, JATE, KC, IFETEL, ANATEL, VERIZON (America), AT&T (America), TELUS (Canada)

WLAN

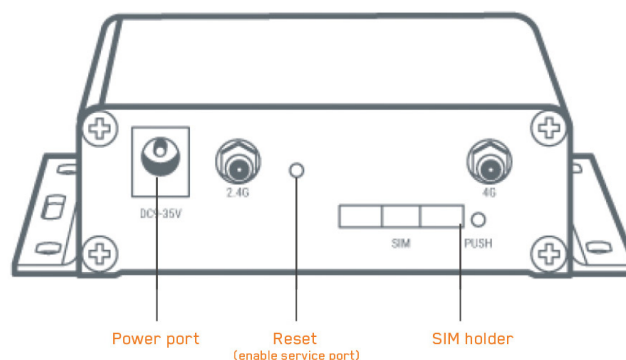
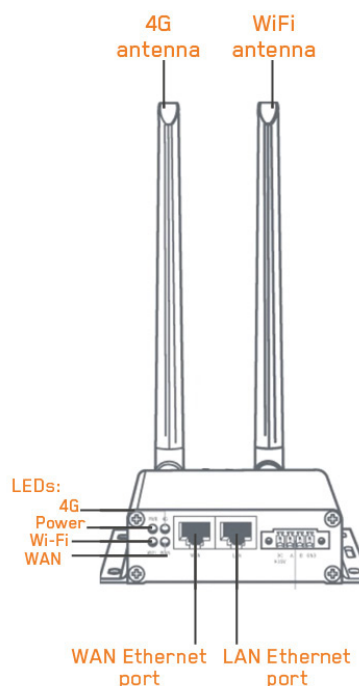
- IEEE 802.11 b/g, 2.4 GHz, max. 150 Mbps
- Encryptions WEP, WPA-PSK, WPA2-PSK, WPA-PSK/WPA2-PSK mixed mode
- Frequency 2.412 - 2.462 GHz, 11 channels
- Access point or client mode
- Output power 20 dBm max

Included accessories

- RJ-45 Cat5e Ethernet cable
- 1 x LTE antenna
- 1 x WiFi antenna
- DIN rail mount
- Power supply unit
 - AC adapter - Input 100 - 240 V AC, frequency 50/60Hz 0,3A, Output 12.0 V, 1.0 A, max 12.0 W. EU, UK, AU and US power socket

Physical properties

- 104 mm x 28 mm x 110 mm / 4.09" x 1.10" x 4.33" (L x W x H)
- Storage temperature -30 °C ... +70 °C / -22 °F ... +158 °F
- Protection class IP30
- Weight 305 g / 0.67 lbs (net weight article)
- Operating temperature -20 °C ... +55 °C / -4 °F ... +131 °F



Tosibox Oy

sales@tosibox.com

support@tosibox.com

Sales, international, tel. +358 44 70 90 200

www.tosibox.com



TOSIBOX[®]